

Active Shunt Surge Protection

■ Description

- ▶ A shunt circuit that provides 4kV surge protection for any power converter without a large input capacitor

■ Benefits

- ▶ Reduces exposure to voltage spikes at the input
- ▶ Allows accurate sensing of the rectified input voltage for power factor correction (PFC) by removing the large input capacitor
- ▶ **Could be used in:** Power converters with PFC

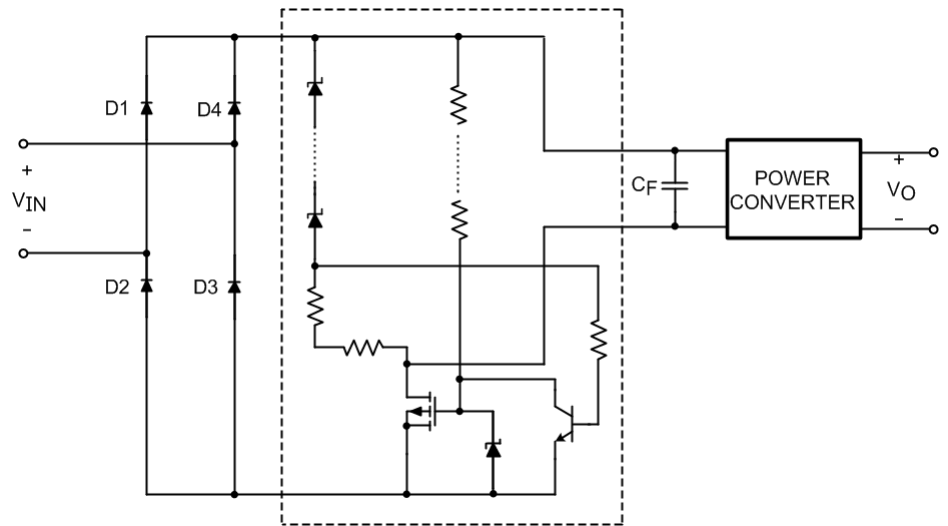


Figure 1. Example shunt circuit