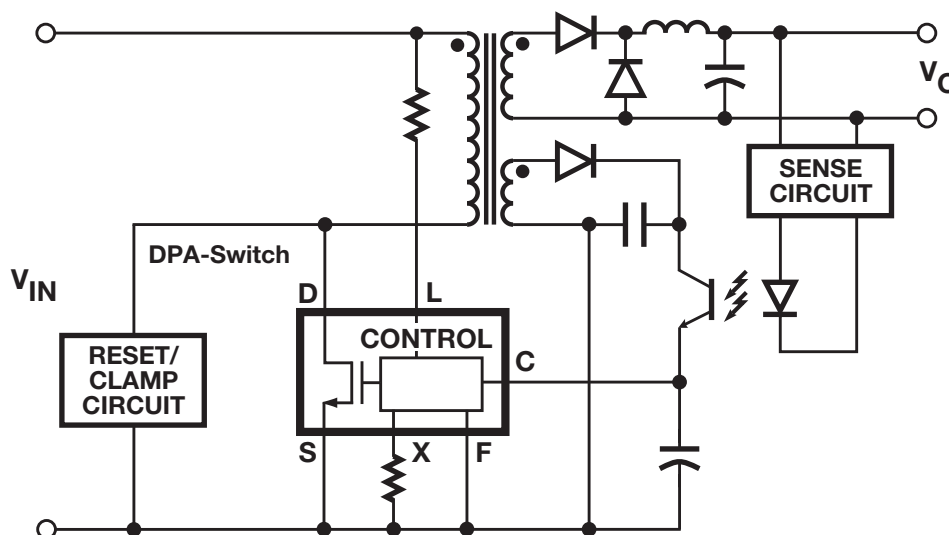


DPA-Switch™

- 400 kHz switching frequency
- Wide input voltage range, 16 VDC to 75 VDC
- Supports 48 V bus architecture for enterprise computing applications
- Supports 24 V bus architecture for wireless and industrial applications
- Built-in protection

Highly Integrated DC-DC Converter ICs for PoE & Telecom Applications



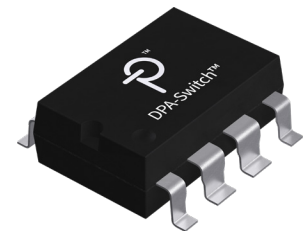
PI-2770-032002

Applications

- PoE, VoIP
- Wireless LAN
- Security cameras
- Telco central office equipment
- Distributed power architectures (24 V/48 V bus)
- Industrial

Output Power

36-75 VDC Input Range (forward)						
Product	Total Device Dissipation					Max Power Output (W)
	0.5 W	1.0 W	2.5 W	4 W	6 W	
DPA423	12	16	--	--	--	18
DPA424	16	23	35	--	--	35
DPA425	23	32	50	62	--	70
DPA426	25	35	55	70	83	100



SMD-8 (G package);
PDIP-8 (P package)

36-75 VDC Input Range (flyback)					
Product	Total Device Dissipation				Max Power Output (W)
	0.5 W	0.75 W	1.0 W	1.5 W	
DPA423	9	13	--	--	13
DPA424	10	14.5	18	24	26
DPA425	--	--	--	25.5	52

Design Support

- Data Sheet** DPA-Switch data sheet (www.power.com/dpa-switch-data-sheet)
- Application Note** DPA-Switch forward converter design guide (AN-31) (www.power.com/an-31)
- Design Example** 22 W triple output flyback converter (DER-120) (www.power.com/der-120)